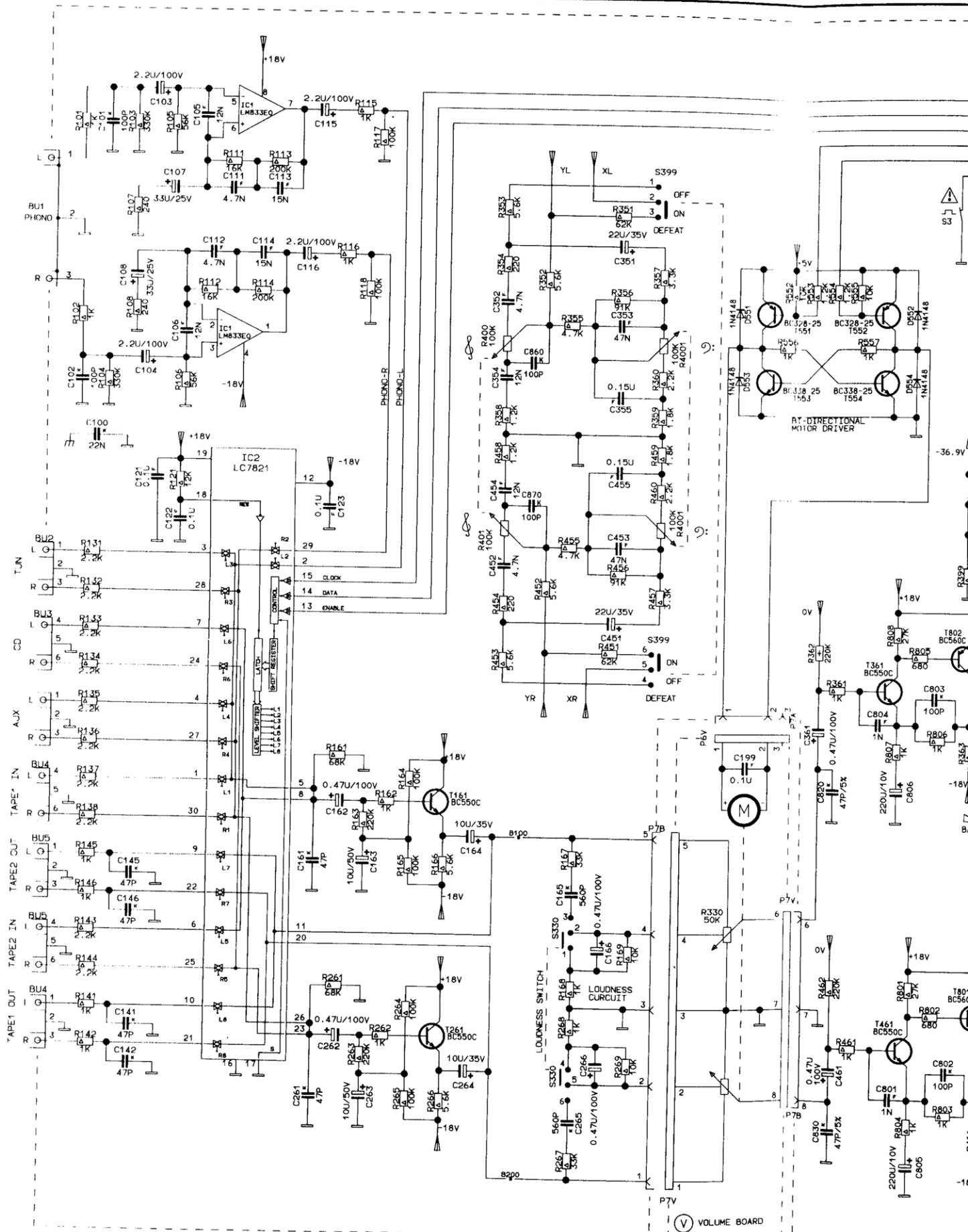
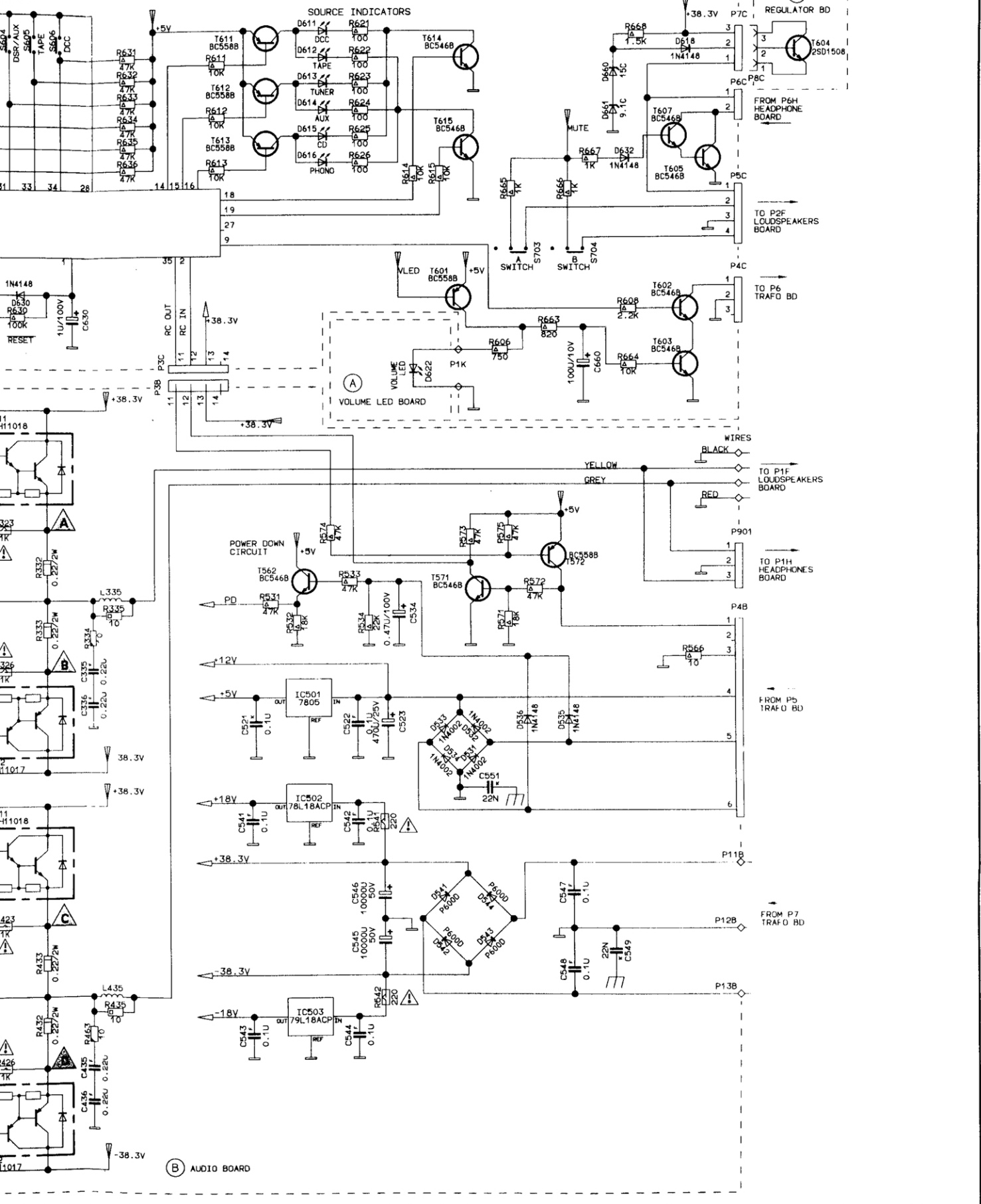


CIRCUIT DIAGRAM FA 761: AUDIO BOARD, OPERATING BOARD, VOLUME BOARD, VOLUME LED BOARD, R

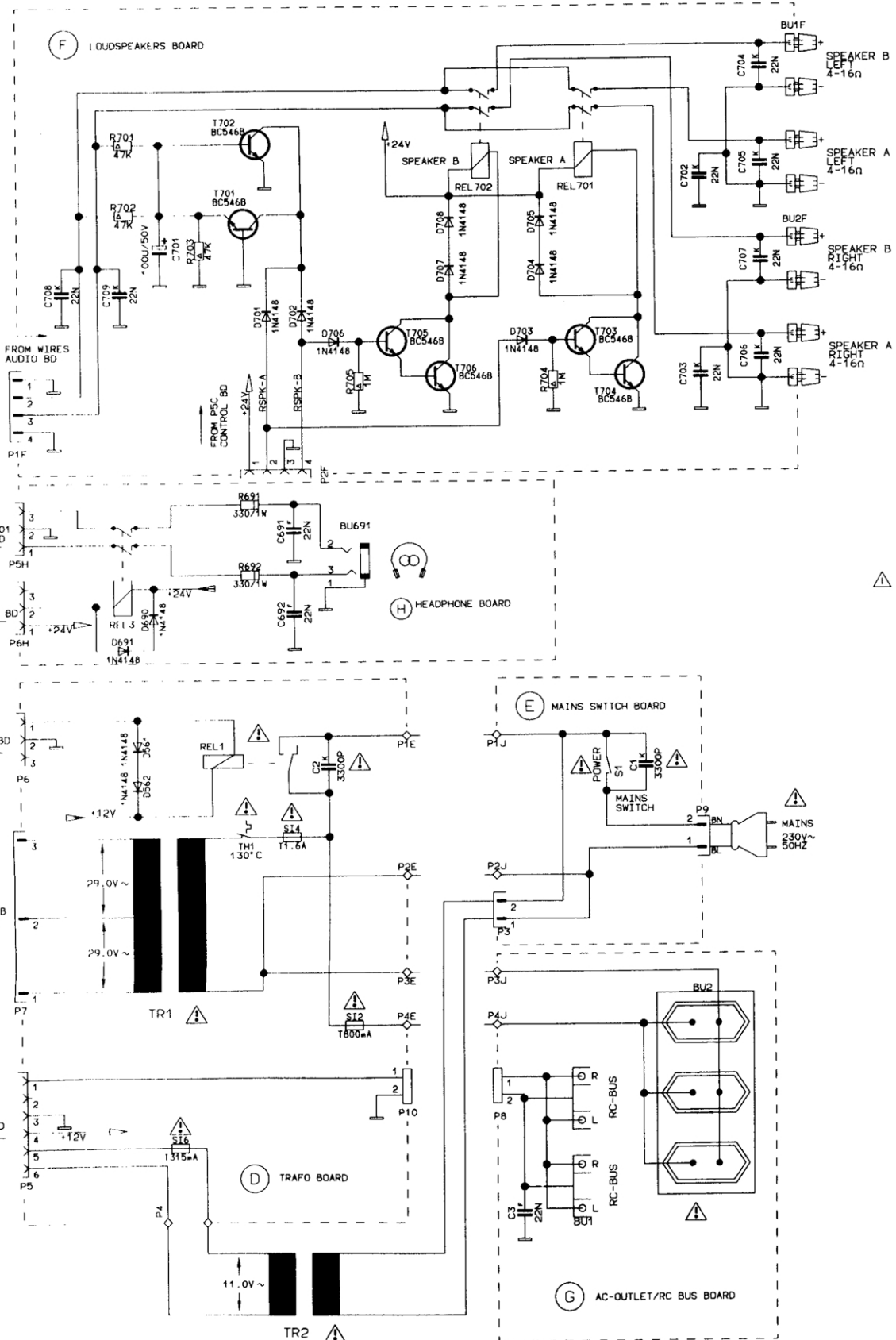


CE KEYS



(B) AUDIO BOARD

CIRCUIT DIAGRAM FA 761: HEADPHONE BOARD, MAINS SWITCH BOARD, LOUDSPEAKERS BOARD, TRAF0 BOARD, AC-OUTLET / RC BUS BOARD



- SUBJECT TO
- RESISTOR
- CR1A/0.2W (K5W 0204 DIN)
 - CR3/0.5W (K5W 0411 DIN)
 - SR16/0.33W (K5W 0204 DIN)
 - CR25/0.33W (K5W 0207 DIN)
 - CH52/0.67W (K5W 0617 DIN)
 - SR25H/0.6W (K5W 0207 DIN)
 - METAL OXIDE
 - LOW FLAMMABILITY
 - SAFETY RESISTOR

ATTENTION! OBSERVE MOS COMPONENTS HANDLING INSTRUCTIONS WHEN SERVICING!

ABSOLUTELY NECESSARY FOR THE SAFETY REQUIREMENTS AND MUST BE REPAIRED BY PARTS

IF NOT OTHERWISE INDICATED ALL AGAINST CHASSIS WITH A VOLTMETER

